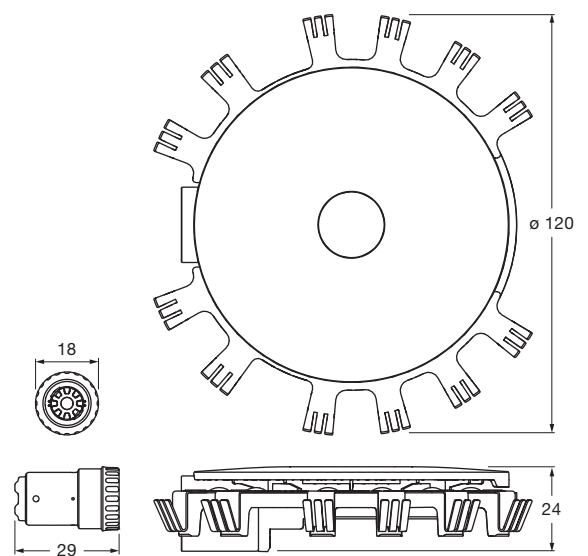
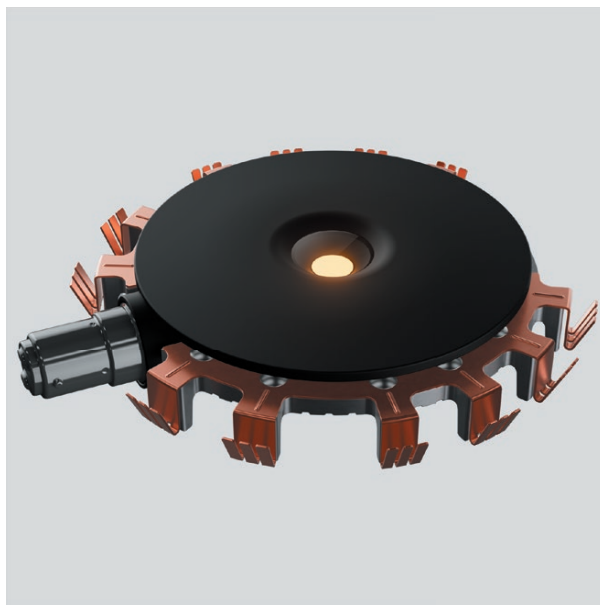


clipLED module Sento B,C datasheet

LED replacement module for halogen light source in Sento HV halogen luminaires with single-sided light output. clipLED module can be installed in an existing Sento HV head without tools.

B15d adapter for mounting on Sento HV body included. Connection to 230 V/50 Hz mains voltage and externally dimmable via phase cut dimmer.



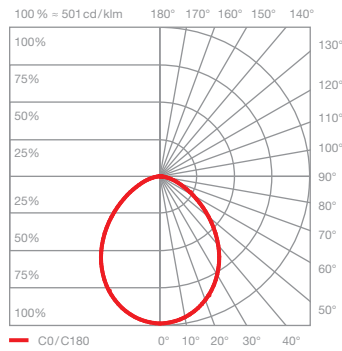
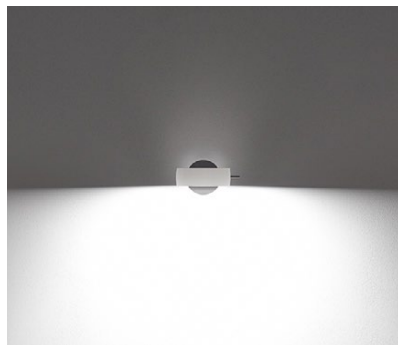
dimensions in mm

technical data clipLED module Sento B,C

properties	material	aluminum, copper beryllium, polyamide, glass, steel
	weight	160 g
clipLED	average life time	25.000 hrs
	energy efficiency class (luminous efficiency)	F (head single-sided 101 lm/W)
	power	LED 10 W
	color rendering index	CRI 95
	color temperature (color consistency)	2700 K (3-step)
electricity	dimming	via trailing-edge phase cut dimmer or via leading-edge phase cut dimmer
	connection	220 – 240 V AC / 50 Hz
	power factor power supply (cos φ1)	> 0.9
	flicker / stroboscopic effect	< 0.2 (PstLM) / < 0.3 (SVM)
	permitted operating conditions	max. 30°C for indoor use only

clipLED module Sento B,C lighting effects

 head single sided

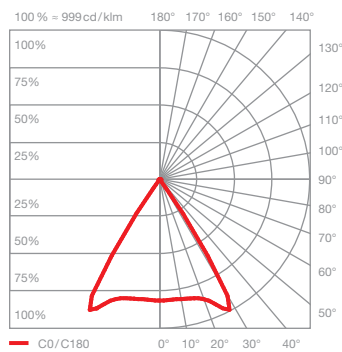


Sento B

diffuse light

insert: satinised glass

luminous flux:
clipLED 10 W 385 lm*
B15d 70 W 535 lm**



Sento C

directed light
beam angle approx. 80°

insert: lens

luminous flux:
clipLED 10 W 750 lm*
B15d 70 W 810 lm**

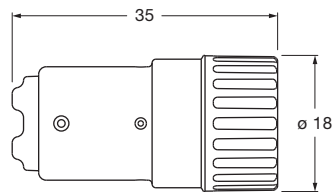
*built into luminaire head with inserts
**five bulbs 70 W HV halogen clear measured and value averaged

clipLED module Sento B,C accessories

long B15D adapter

for luminaires from Occhio with short socket

Article can be reordered free of charge in the partner portal.



For shorter socket (< 28 mm) a long adapter is required.

