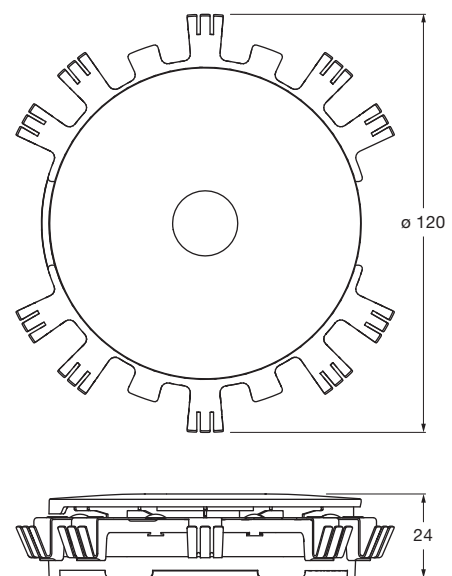
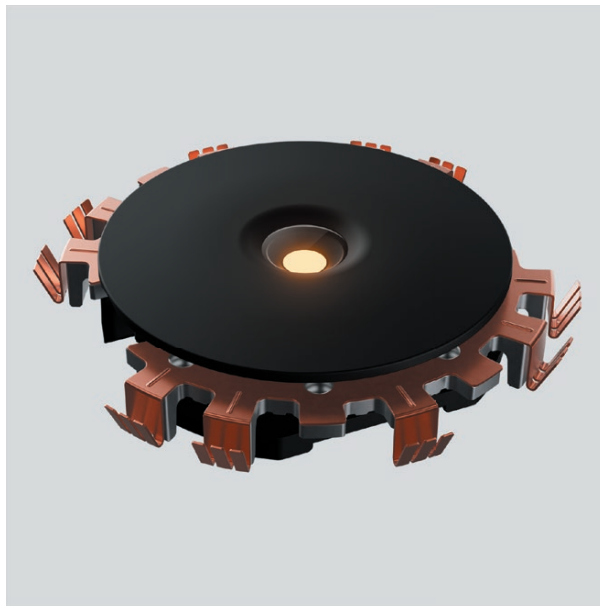


clipLED module Più B,C datasheet

LED replacement module for halogen light source in Più HV halogen luminaires. clipLED module can be installed in an existing Più HV head without tools.

Connection to 230 V/50 Hz mains voltage and externally dimmable via phase cut dimmer.



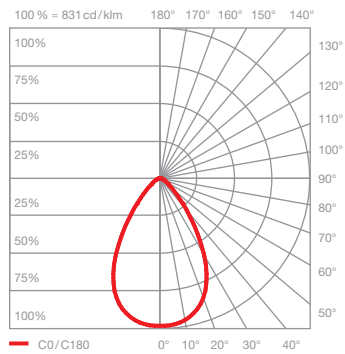
dimensions in mm

technical data clipLED module Più B,C

| | | |
|-------------|---|---|
| properties | material | aluminum, copper beryllium, polyamide, glass, steel |
| | weight | 160 g |
| clipLED | average life time | 25.000 hrs |
| | energy efficiency class (luminous efficiency) | F (101 lm/W) |
| | power | LED 10 W |
| | color rendering index | CRI 95 |
| | color temperature (color consistency) | 2700 K (3-step) |
| electricity | dimming | via trailing-edge phase cut dimmer or via leading-edge phase cut dimmer |
| | connection | 220–240 V AC / 50 Hz |
| | power factor power supply (cos φ1) | > 0.9 |
| | flicker / stroboscopic effect | < 0.2 (PstLM) / < 0.3 (SVM) |
| | permitted operating conditions | max. 30°C for indoor use only |

clipLED module Più B,C lighting effects

 head single sided

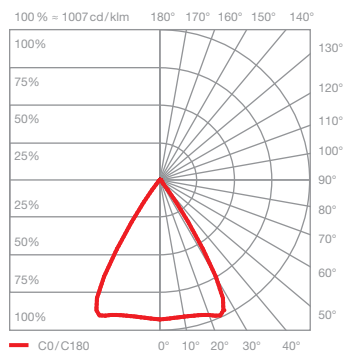


Piu B

diffuse light

insert: satinised glass

luminous flux:
clipLED 10 W 740 lm*
B15d 70 W 580 lm**



Piu C

directed light
beam angle approx. 80°

insert: satinised glass
lens

luminous flux:
clipLED 10 W 740 lm*
B15d 70 W 580 lm**

* built into luminaire head with inserts
** five bulbs 70 W HV halogen clear measured and value averaged