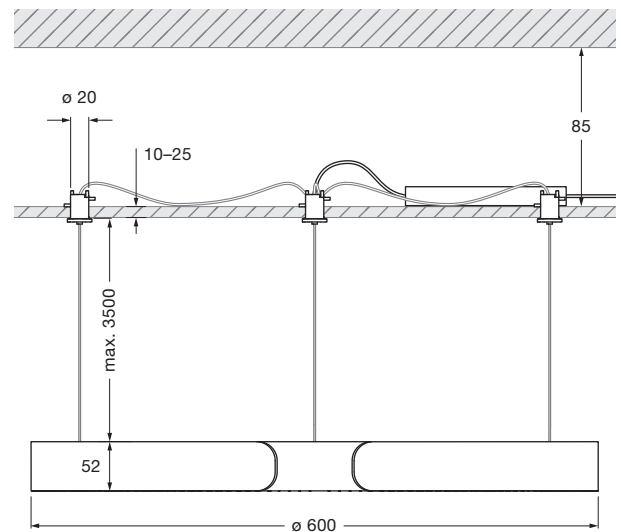


Mito sospeso 60 fix pro datasheet

Ring-shaped LED pendant luminaire with double-sided light emission and a diameter of 60 cm. There are two lighting effects to choose from: table (wide) for use above tables — expansive light distributed downward and upward. and room (narrow) for luminaires that hang by themselves in a room — concentrated light aimed downward and diffuse light pointed upward. The max. suspension length is 350 cm (adjustable during installation).

Version for hollow ceilings with a recessed cable drop (available with or without an access panel). The color temperature can be selected at the time of purchase (2700 K / 3000 K / 4000 K).



cover for revision can be ordered optionally

dimensions in mm

technical data Mito sospeso 60 fix pro

properties	material	aluminium, painted, PVD-coated steel, plastic, optical silicone
	height setting	max. 3500 mm (can be adjusted during fitting)
	weight	3.15 kg
surface	head	bronze, matt gold, rose gold, matt silver, matt white, matt black, phantom, black phantom
	cover	matt white, matt black
Occhio LED	average life time	> 50.000 hrs
	energy efficiency class (luminous efficiency)	G (60 lm / W)
	power	LED 60 W
	color rendering index	high color; CRI Ra 95
	color temperature	2700–4000 K
electricity	dimming	with suitable power supply unit
	connection	max. 2100 mA const. / > 32 VDC (up + down together controllable) max. 2 x 1050 mA const. / > 32 VDC (up + down separately controllable)
	permitted operating conditions	max. 30°C for indoor use only

Mito sospeso 60 fix pro lighting effects

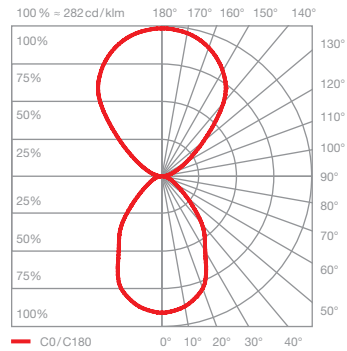


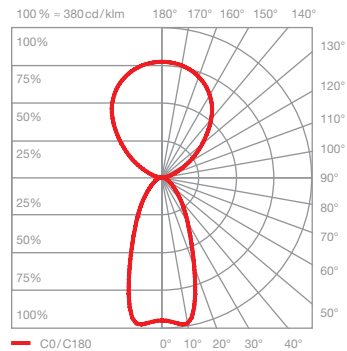
table (wide)

wide light beam (up and down), beam angle approx. 80° (down)

inserts: wide / flood

luminous flux : high color 60 W 3330 lm

UGR (4H8H) < 19



room (narrow)

concentrated light downwards, beam angle approx. 50°, diffuse upwards

inserts: narrow / diffuse

luminous flux : high color 60 W 3210 lm

UGR (4H8H) < 19*

*The standardized indication of glare values (UGR value - 4H8H) is not quite significant for annular luminaires. In most real applications the result of an individual calculation is a UGR value < 19. Therefore, we recommend to carry out a calculation which can be prepared by our lighting design team (project-support@occhio.de).