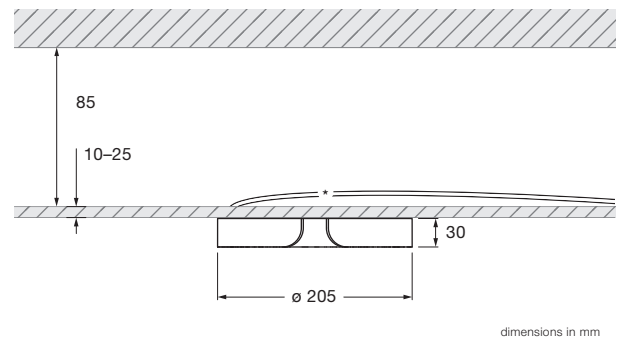


Mito soffitto 20 flat pro datasheet

Ring-shaped LED ceiling luminaire with single-sided light emission and a diameter of 20.5 cm. There are two lighting effects to choose from: narrow — concentrated, glare-free light to ensure perfect illumination for every use and wall to wall (wide) for installation particularly on hallway and corridor walls in order to provide glare-free illumination on opposing surfaces – widely emitted light.

Version for hollow ceilings (available with or without an access panel). The color temperature can be selected at the time of purchase (2700 K / 3000 K / 4000 K).

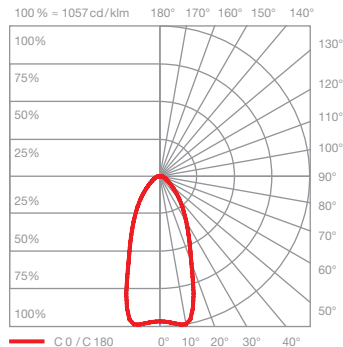


cover for revision can be ordered optionally (* luminaire cable: 1 m)

technical data Mito soffitto 20 flat pro

properties	material	aluminium, painted, PVD-coated steel, plastic, optical silicone
	weight	0.7 kg
surface	head	bronze, matt gold, rose gold, matt silver, matt white, matt black, phantom, black phantom
	cover	matt white, matt black
Occhio LED	average life time	> 50.000 hrs
	energy efficiency class (luminous efficiency)	G (44 lm / W)
	power	LED 20 W
	color rendering index	high color; CRI Ra 95
	color temperature	2700–4000 K
electricity	dimming	with suitable power supply unit
	connection	max. 700 mA const. / > 32 V DC
	permitted operating conditions	max. 30°C for indoor use only

Mito soffitto 20 flat pro lighting effects



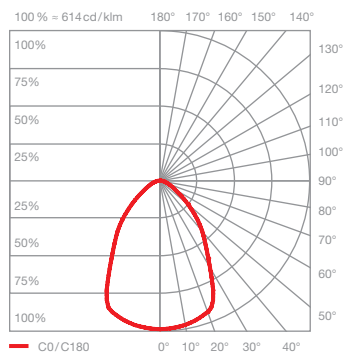
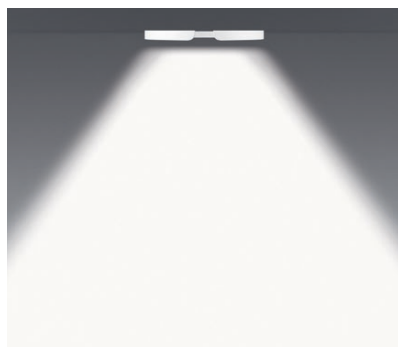
ceiling (narrow)

concentrated light, beam angle approx. 50°

inserts: narrow

luminous flux : high color 20 W 720 lm

UGR (4H8H) > 19*



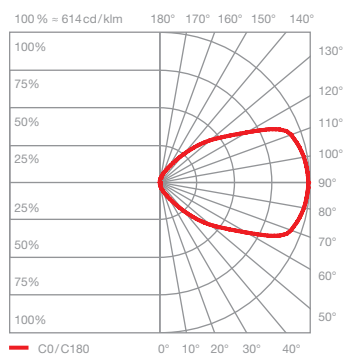
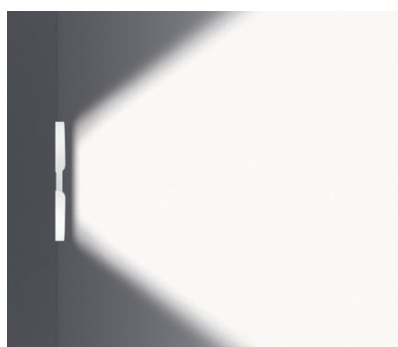
ceiling (wide)

wide-radiation light, beam angle approx. 80°

inserts : wide

luminous flux : high color 20 W 850 lm

UGR (4H8H) > 19*



wall to wall (wide)

wide-radiation light, beam angle approx. 80°

inserts : wide

luminous flux : high color 20 W 850 lm

*The standardized indication of glare values (UGR value - 4H8H) is not quite significant for annular luminaires. In most real applications the result of an individual calculation is a UGR value < 19. Therefore, we recommend to carry out a calculation which can be prepared by our lighting design team (project-support@occhio.de).