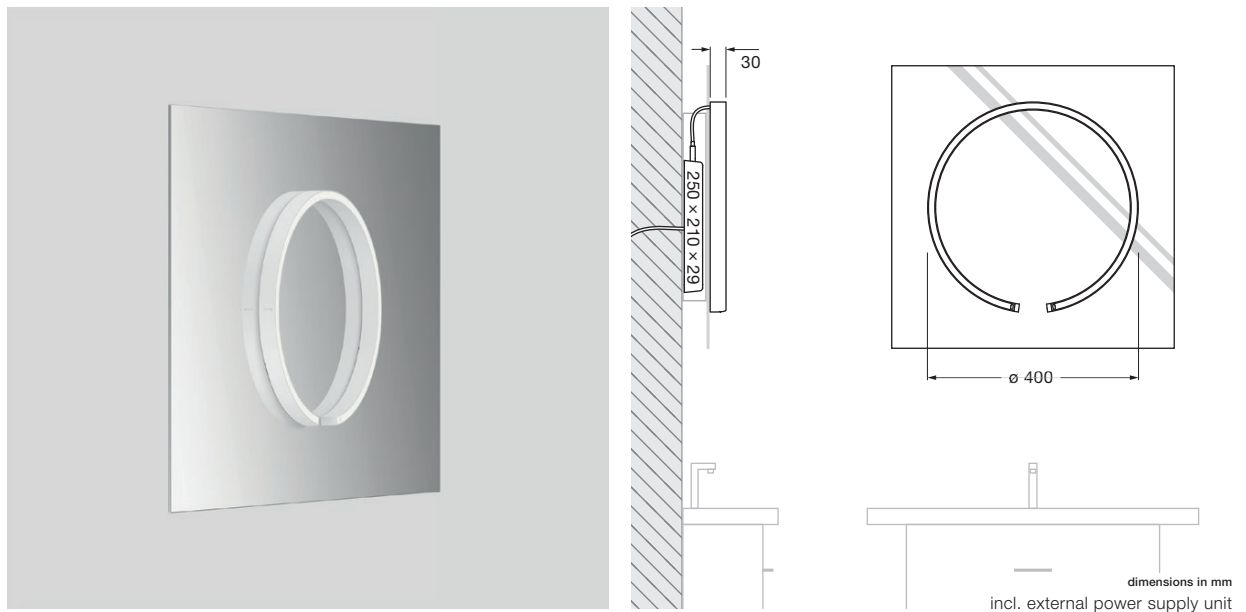


Mito sfera su 40 datasheet

Ring-shaped LED wall luminaire with single-sided light output for mounting on a mirror and a diameter of 40 cm. The lighting effect provides glare-free light for perfect illumination. This version features an external power supply unit behind the mirror or in recess and connects to 230V AC mains voltage.

The luminaire can be controlled using »touchless control« (gesture control at the head) or Occhio air, or can be dimmed using a trailing-edge phase cut dimmer*. The color temperature is continuously adjustable between 2700–4000 K (optional 2200 to 3500 K) or can be preset (2700/3000/3500/4000 K) using »touchless control« or Occhio air.



technical data Mito sfera su 40

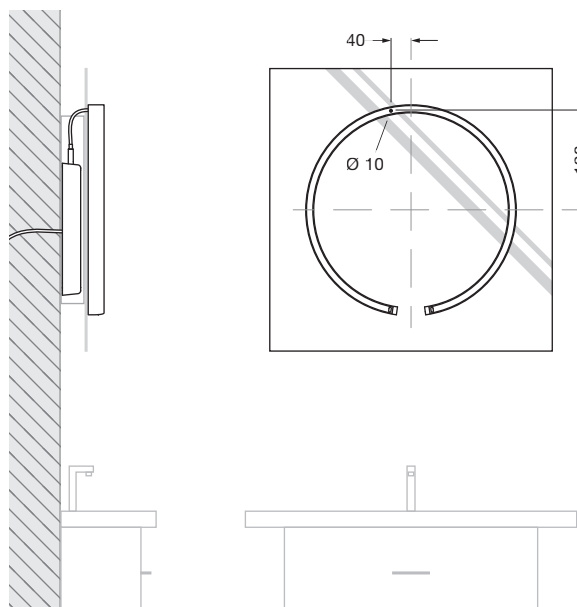
properties	material	aluminium painted or PVD-coated, optical silicone
	weight (without mirror)	2.0 kg
surface	head	bronze, matt gold, rose gold, matt silver, matt white, matt black, phantom, black phantom
Occhio »color tune« LED	average life time	> 50.000 hrs
	energy efficiency class (luminous efficiency)	G (36 lm / W)
	power	LED 20 W (incl. Occhio power supply unit approx. 26 W, standby < 0.5 W)
	color rendering index	high color; CRI Ra 95
	color temperature (color consistency)	2700–4000 K (2-step) 2200–3500 K (2-step 2200 K, 3-step 3500 K)
electricity	dimming	via trailing-edge phasecut dimmer, »touchless control« or Occhio air (optional)*
	connection	230 V AC
	power factor power supply (cos φ1)	0.9
	flicker / stroboscopic effect	1 (PstLM) / 0.9 (SVM)
	permitted operating conditions	max. 30°C for indoor use only

* For a list of compatible dimmers, see www.occhio.com/dim_en, trailing-edge phasecut dimmer and Occhio air not combinable

Mito sfera su 40 connection diagram

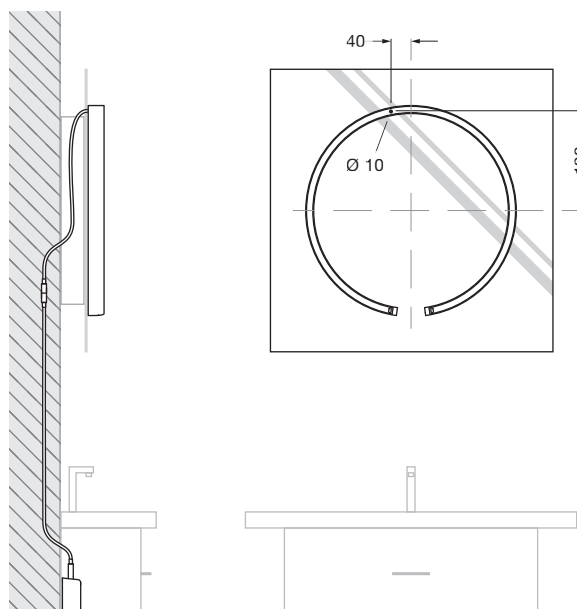
option 1

power supply unit behind the mirror, length of the luminaire cable 1.2 m

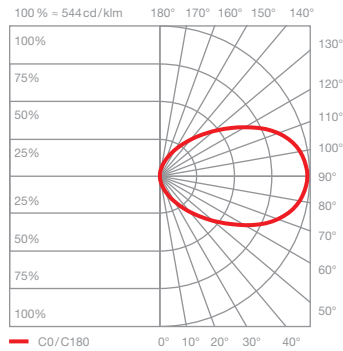
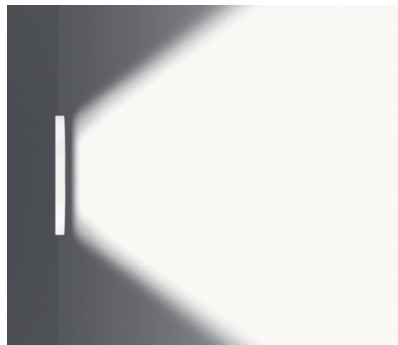


option 2

Power supply unit in revision, optional extension cable (5 m) can be ordered via configurator



Mito sfera su 40 lighting effects



wide

wide-radiation light, beam angle approx. 90°

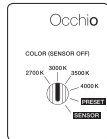
inserts: wide

luminous flux: high color 20W 800lm

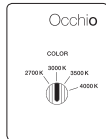
control options

Control

Mito set box



sospeso / aura /
sfera / sfera su / volo



soffitto / alto flat



alto & alto side

sospeso / aura / sfera / volo:

COLOR (Sensor off)
adjustable color temperature (4 steps)
trailing-edge phase cut dimming possible

PRESET (sospeso / aura / volo)
adjustable color temperature (4 steps)
adjustable up / downlight ratio (5 steps)
trailing-edge phase cut dimming possible

PRESET (sfera)
color temperature adjustable (4 stages)
light intensity adjustable (5 stages)

SENSOR

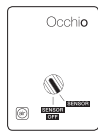
»touchless control« (gesture control)
switching, dimming, up / down fading*
»color tune« (color temperature continuously adjustable)
no external dimming possible

*not with sfera

soffitto / alto / alto side:

COLOR
adjustable color temperature (4 steps)
trailing-edge phase cut dimming possible

Mito »air« box



sospeso / aura /
sfera / volo



alto & alto side



Occhio air (Bluetooth control using Occhio air app) or air controller (optional) control of individual luminaires, groups and scenes

sospeso / aura / sfera / volo:

SENSOR
»air« + »touchless control« (Bluetooth- and gesture control)
control via »touchless control« and Occhio air app or »air« controller

SENSOR OFF

»air«
control via Occhio air App or »air« controller
switching, dimming, up / down fading »color tune« (color temperature continuously adjustable)



terra / raggio / largo /
soffitto / alto flat

terra / largo / raggio:

»air«, »touchless control« and »body sensor« (raggio / terra) (Bluetooth- and gesture control)
control via »touchless control«, »body sensor« and Occhio air App or »air« controller

»ambient light control« (terra)
adjustment to ambient light

»presence sensor« (terra)
presence identification and automatically shutdown by presence sensor

deactivation and adjustable via control and sensor with »air« app

alto / alto side:

»air« (Bluetooth - control)
control via Occhio air App or »air« controller
switching, dimming
»color tune« (color temperature continuously adjustable)

with Mito »air« box no external dimming possible