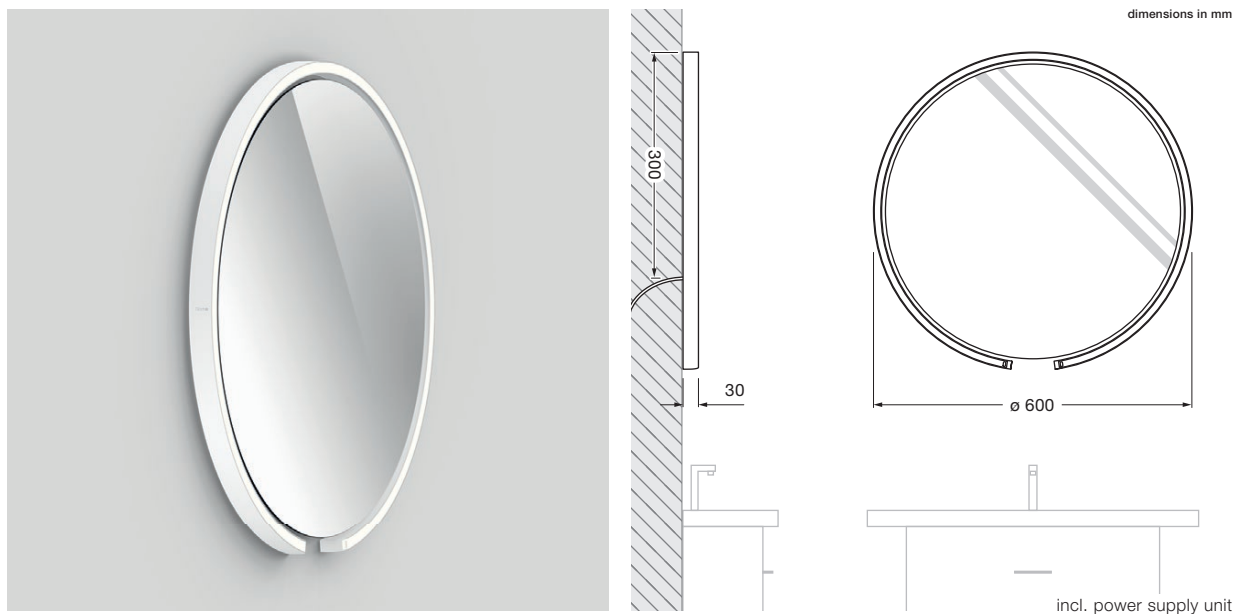


## Mito sfera 60 datasheet

Ring-shaped LED mirror-wall luminaire with single-sided light output and a diameter of 60 cm. The lighting effect provides glare-free light for perfect illumination. This version features an integrated power supply unit for surface mounting and connects to 230V AC mains voltage.

The luminaire can be controlled using »touchless control« (gesture control at the head) or Occhio air, or can be dimmed using a trailing-edge phase cut dimmer\*. The color temperature is continuously adjustable between 2700–4000 K (optional 2200 to 3500 K) or can be preset (2700/3000/3500/4000 K) using »touchless control« or Occhio air.

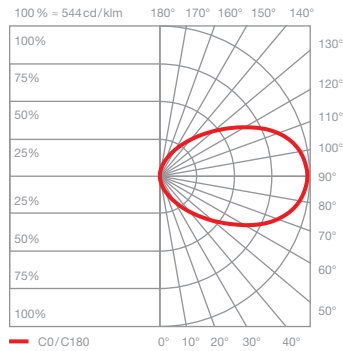
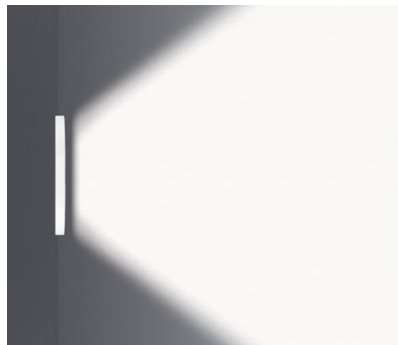


### technical data Mito sfera 60

properties	material	aluminium painted or PVD-coated, optical silicone , mirrored glass	
	weight	8.0 kg	
surface	head	bronze, matt gold, rose gold, matt silver, matt white, matt black, phantom, black phantom	
	mirror	clear glass, tinted glass	
Occhio »color tune« LED	average life time	> 50.000 hrs	
	energy efficiency class (luminous efficiency)	G (41 lm / W)	
	power	LED 40 W (incl. Occhio power supply unit approx. 46 W, standby < 0.5 W)	
	color rendering index	high color; CRI Ra 95	
	color temperature (color consistency)	2700–4000 K (2-step)	2200–3500 K (2-step 2200 K, 3-step 3500 K)
electricity	dimming	via trailing-edge phasecut dimmer, »touchless control« or Occhio air (optional) *	
	connection	230 V AC	
	power factor power supply (cos φ1)	0.9	
	flicker / stroboscopic effect	1 (PstLM) / 0.9 (SVM)	
	permitted operating conditions	max. 30°C for indoor use only	

\* For a list of compatible dimmers, see [www.occhio.com/dim\\_en](http://www.occhio.com/dim_en), trailing-edge phasecut dimmer and Occhio air not combinable

## Mito sfera 60 lighting effects



### wide

wide-radiation light, beam angle approx. 90°

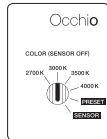
inserts: wide

luminous flux: high color    40W    1600lm

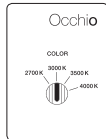
## control options

### Control

#### Mito set box



sospeso / aura /  
sfera / sfera su / volo



soffitto / alto flat



alto & alto side

#### sospeso / aura / sfera / volo:

COLOR (Sensor off)  
adjustable color temperature (4 steps)  
trailing-edge phase cut dimming possible

PRESET (sospeso / aura / volo)  
adjustable color temperature (4 steps)  
adjustable up / downlight ratio (5 steps)  
trailing-edge phase cut dimming possible

PRESET (sfera)  
color temperature adjustable (4 stages)  
light intensity adjustable (5 stages)

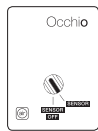
SENSOR  
»touchless control« (gesture control)  
switching, dimming, up / down fading\*  
»color tune« (color temperature continuously adjustable)  
no external dimming possible

\*not with sfera

#### soffitto / alto / alto side:

COLOR  
adjustable color temperature (4 steps)  
trailing-edge phase cut dimming possible

#### Mito »air« box



sospeso / aura /  
sfera / volo



alto & alto side



**Occhio air** (Bluetooth control using Occhio air app) or air controller (optional) control of individual luminaires, groups and scenes

#### sospeso / aura / sfera / volo:

SENSOR  
»air« + »touchless control« (Bluetooth- and gesture control)  
control via »touchless control« and Occhio air app or »air« controller

SENSOR OFF  
»air«  
control via Occhio air App or »air« controller  
switching, dimming, up / down fading »color tune« (color temperature continuously adjustable)



terra / raggio / largo /  
soffitto / alto flat

#### terra / largo / raggio:

»air«, »touchless control« and »body sensor« (raggio / terra) (Bluetooth- and gesture control)  
control via »touchless control«, »body sensor« and Occhio air App or »air« controller

»ambient light control« (terra)  
adjustment to ambient light

»presence sensor« (terra)  
presence identification and automatically shutdown by presence sensor

deactivation and adjustable via control and sensor with »air« app

#### alto / alto side:

»air« (Bluetooth - control)  
control via Occhio air App or »air« controller  
switching, dimming  
»color tune« (color temperature continuously adjustable)

with Mito »air« box no external dimming possible