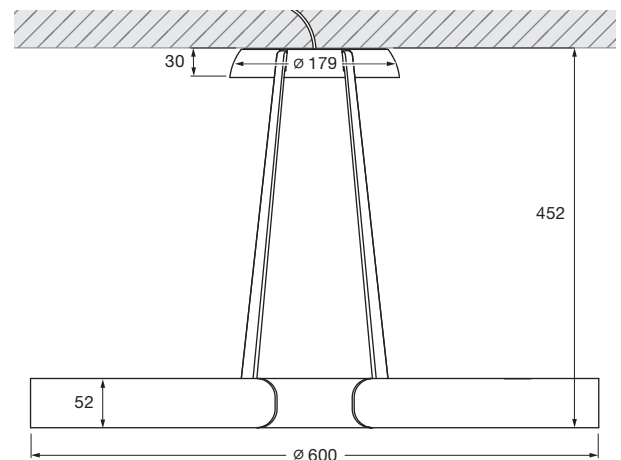


Mito aura alta 60 datasheet

Ring-shaped LED ceiling luminaire for high rooms with double-sided light emission and a diameter of 60 cm. There are two lighting effects to choose from: narrow directs diffuse light upward and concentrated light downward to create perfect illumination for every application; wide directs diffuse light upward to indirectly illuminate the ceiling and expansive light downward.

Version with an integrated power supply unit for surface mounting, connection to 230V AC power supply. Adjustable via Occhio air or DALI, alternatively with a trailing-edge phase cut dimmer*. The color temperature is continuously adjustable via Occhio air or DALI from 2700–4000 K (optionally 2200–3500 K) or can be preset (2700 / 3000 / 3500 / 4000 K).



incl. power supply unit (removable)

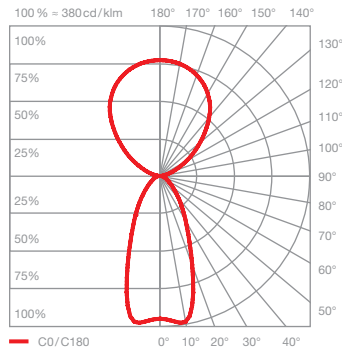
dimensions in mm

technical data Mito aura alta 60

properties	material	aluminium, painted, PVD-coated steel, plastic, optical silicone, fibreglass
	weight	4.5 kg
surface	head	bronze, matt gold, rose gold, matt silver, matt white, matt black, phantom, black phantom
	canopy / fork	matt white, matt black
Occhio »color tune« LED	average life time	> 50.000 hrs
	energy efficiency class (luminous efficiency)	G (62 lm / W)
	power	LED 60 W (incl. Occhio power supply approx. 66 W, standby < 0.5 W)
	color rendering index	high color; CRI Ra 95
electricity	color temperature (color consistency)	2700–4000 K (3-step) 2200–3500 K (2-step 2200 K, 3-step 3500 K)
	dimming	Occhio air (optional), DALI or via trailing-edge phasecut dimmer*
electricity	connection	230 V AC
	power factor power supply (cos φ1)	0.9
	flicker / stroboscopic effect	1 (PstLM) / 0.9 (SVM)
	permitted operating conditions	max. 30°C for indoor use only

* For a list of compatible dimmers, see www.occhio.com/dim_en, trailing-edge phasecut dimmer, Occhio air and DALI not combinable

Mito aura alta 60 lighting effects



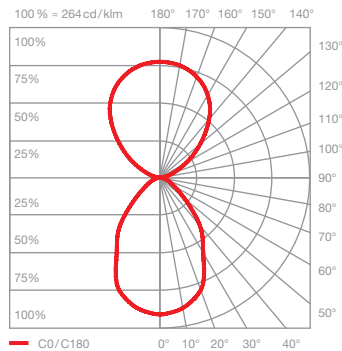
ceiling (narrow)

concentrated light downwards, beam angle approx. 50°, diffuse upwards

inserts: narrow / diffuse

luminous flux : high color 60 W 3210 lm

UGR (4H8H) < 19



ceiling (wide)

wide light beam downwards, beam angle approx. 80°, diffuse upwards

inserts: wide / diffuse

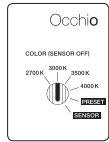
luminous flux : high color 60 W 3460 lm

UGR (4H8H) < 19

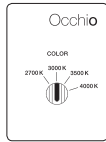
control options

Control

Mito set box



sospeso / aura /
sfera / sfera su / volo



soffitto / alto flat /
aura alta



alto & alto side

sospeso / aura / sfera / volo:

COLOR (Sensor off)
adjustable color temperature (4 stages)
trailing-edge phase cut dimming possible

PRESET (sospeso / aura / volo)
adjustable color temperature (4 stages)
adjustable up / down light intensity (5 stages)

PRESET (sfera)
color temperature adjustable (4 stages)
light intensity adjustable (5 stages)

SENSOR

»touchless control« (gesture control)
switching, dimming, up / down fading*
»color tune« (color temperature continuously
adjustable) no external dimming possible

soffitto / alto / alto side / aura alta:

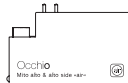
COLOR
adjustable color temperature (4 stages)
trailing-edge phase cut dimming possible

*not with sfera

Mito »air« box



sospeso / aura /
sfera / volo



alto & alto side



Occhio air (Bluetooth control using Occhio air app) or air controller (optional) control of individual luminaires, groups and scenes

sospeso / aura / sfera / volo:

SENSOR
»air« + »touchless control« (Bluetooth-
and gesture control)
control via »touchless control« and Occhio air app
or »air« controller

SENSOR OFF

»air«
control via Occhio air App or »air« controller
switching, dimming, up / down fading »color tune«
(color temperature continuously adjustable)



terra / raggio / largo /
soffitto / alto flat / aura alta

terra / largo / raggio:

»air«, »touchless control« (largo / raggio / terra)
and »body sensor« (raggio / terra) (Bluetooth- and
gesture control) control via »touchless control«,
»body sensor« and Occhio air App or »air«
controller

alto / alto side / aura alta:

»air« (Bluetooth - control)
control via Occhio air App or »air« controller
switching, dimming »color tune« (color tempera-
ture continuously adjustable), up / down fading
(aura alta)

»ambient light control« (terra)
adjustment to ambient light

»presence sensor« (terra)
presence identification and automatically
shutdown by presence sensor

deactivation and adjustable via control
and sensor with »air« app

with Mito »air« box no external dimming possible

Mito DALI box (control via DALI)



sospeso / volo /
soffitto / alto flat



aura / aura alta



alto & alto side up



alto & alto side track

sospeso / aura / aura alta / volo:

– color tune adjustable*
– adjust continuously dimming
– up + downlight separate controllable
(two DALI addresses needed)
– no »touchless control«, no fading

soffitto / alto / alto side:

– color tune adjustable*
– continuously dimming

* DALI controller DALI Device type 8 (DT8) for controlling of the color tune necessary further signs on www.occhio.com/dali

Mito aura alta 60 DALI connection diagram

A maximum of 32 Mito aura alta units can be assigned to each DALI circuit.

The Mito aura alta requires two DALI addresses per luminaire, which enables control of the top and bottom sides via their own respective DALI address. The maximum output is reached if both DALI luminaires (top and bottom side) are set to maximum brightness (60 W = 30 W up and 30 W down).

The Mito aura alta units can be organized into as many as 16 groups and equipped with an additional 16 scenarios (predefined settings).

Using a DALI short address, they can be actuated and configured individually. In addition, the bi-directional data transfer lets users query the state / status of individual luminaires.

You can find more detailed information at www.occhio.com/dali.

