

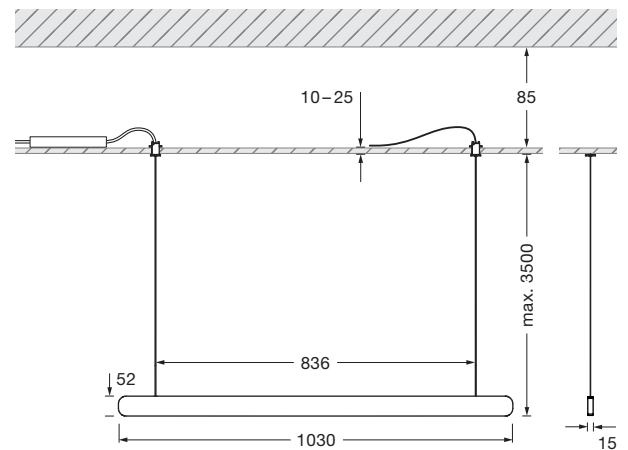
## Mito volo 100 fix pro datasheet

Linear LED pendant luminaire with double-sided light emission and a length of 103 cm. There are two lighting effects to choose from: table (wide) for use above tables — expansive light distributed downward and upward — and room (narrow) for luminaires that hang by themselves in a room — concentrated light aimed downward and diffuse light pointed upward. The maximum pendulum length is 350 cm (adjustable during installation).

The following mounting options are available:

- A version for hollow ceilings with a recessed cable drop (available with or without an access panel)
- Version for surface mounting (cable drop with cable redirection, cable drop with cord wrap)
- Version for tracks (cable drop with cord wrap)

The color temperature can be selected at the time of purchase (2700 K / 3000 K / 4000 K).



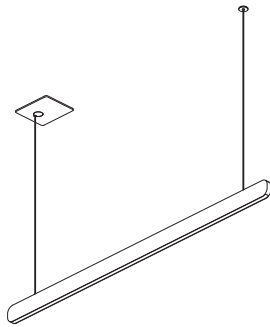
dimensions in mm

### technical data Mito volo 100 fix pro

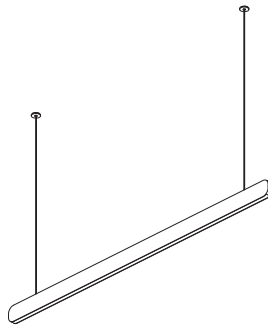
properties	material	head aluminium, painted, PVD-coated steel, optical plastic cover / cable redirection / driver box / cord wrap painted plastic
	height setting	max. 3500 mm (can be adjusted during fitting)
	weight	2.1 kg
surface	head	bronze, matt gold, rose gold, matt silver, matt white, matt black, phantom, black phantom
	cover / cable redirection / driver box / cord wrap	matt white, matt black
Occhio LED	average life time	> 50.000 hrs
	energy efficiency class (luminous efficiency)	G (70 lm / W)
	power	LED 45 W
	color rendering index	high color; CRI Ra 95
	color temperature	2700–4000 K
electricity	dimming	with suitable power supply unit
	connection	max. 1600 mA const. / > 32 V DC (up + down together controllable) max. 2 × 800 mA const. / > 32 V DC (up + down separately controllable)
	permitted operating conditions	max. 30°C for indoor use only

## Mito volo 100 fix pro mounting versions

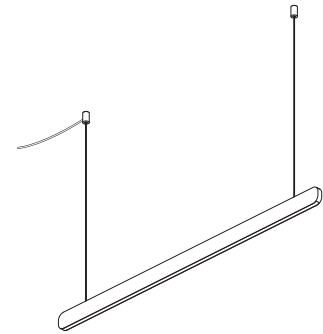
Version for hollow ceiling with cover



Version for hollow ceiling without cover

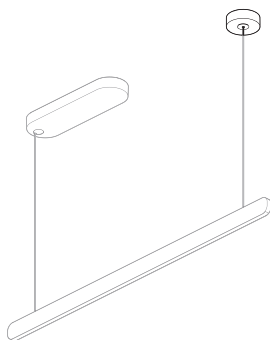


Version for solid ceiling

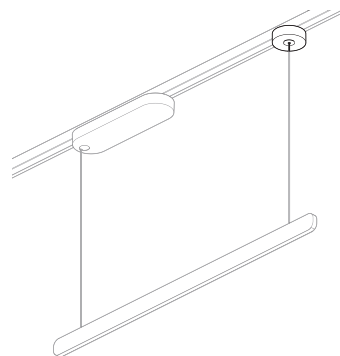


**accessories**

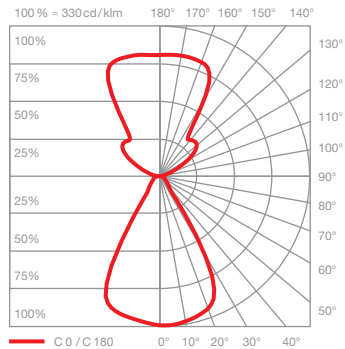
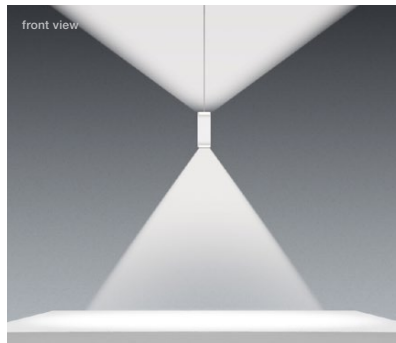
Cable rewind for solid ceiling, winding of the right cable, no shortening necessary



Cable rewind for conductor rail, winding of the right cable, no shortening necessary



## Mito volo 100 fix pro lighting effects



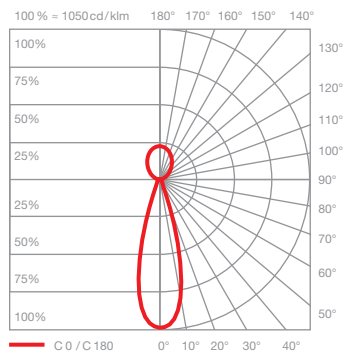
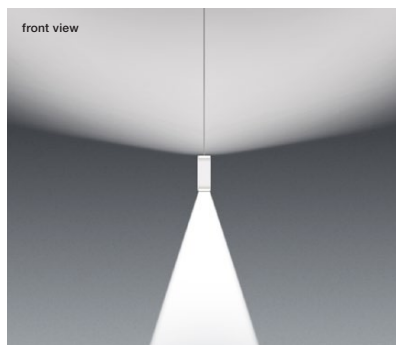
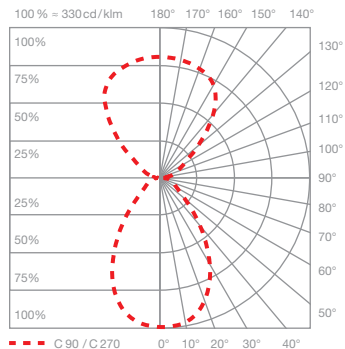
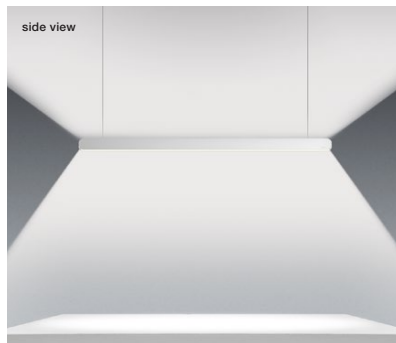
### table (wide)

wide light beam (up and down), beam angle approx. 80° (down)

inserts: wide / flood

luminous flux: high color 45 W 2900 lm

UGR (4H8H) < 19\*



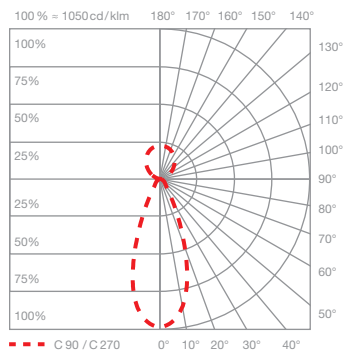
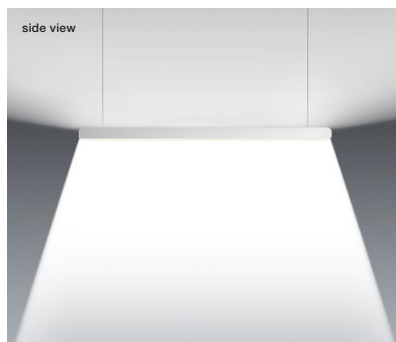
### room (narrow)

concentrated light downwards, beam angle approx. 25°, diffuse upwards

inserts: narrow / diffuse

luminous flux: high color 45 W 2800 lm

UGR (4H8H) < 19\*



\*For a reliable assessment of glare values in a real application of a luminaire we recommend to carry out an individual calculation which can be prepared by our lighting team (lightingdesign@occhio.de).