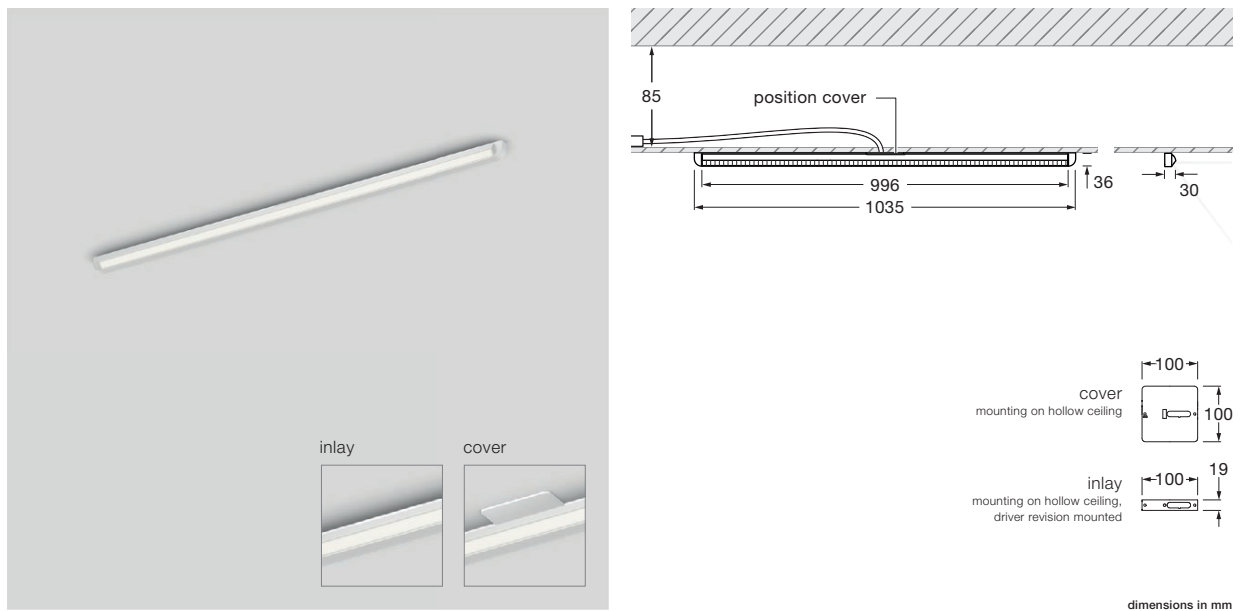


Mito alto 100 side flat pro datasheet

Linear LED ceiling luminaire with side light emission and a length of 103.5 cm. Thanks to the sidelight (wallwash), walls can be illuminated in a glare-free, homogeneous manner.

Version for hollow ceilings incl. power supply unit, cover and inlay (access panel to the power supply unit on the appropriate place required). The color temperature can be selected at the time of purchase (2700 K / 3000 K / 4000 K).

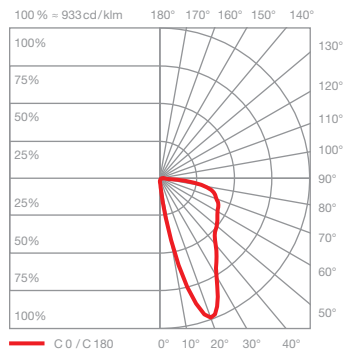
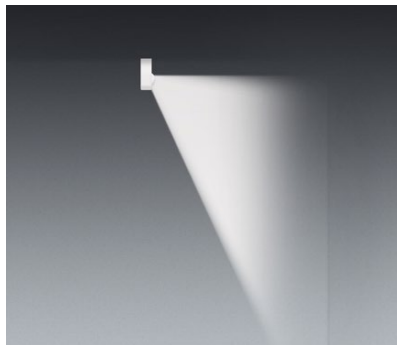


dimensions in mm

technical data Mito alto 100 side flat pro

properties	material	head aluminium, painted, PVD-coated steel, optical plastic cover painted plastic
	recommended wall clearance for homogeneous wall illumination	approx. 70 cm for 250 cm ceiling height approx. 85 cm for 300 cm ceiling height
	weight	1.6 kg
surface	head	bronze, matt gold, rose gold, matt silver, matt white, matt black, phantom, black phantom
	cover	matt white, matt silver, matt black
Occhio LED	average life time	> 50.000 hrs
	energy efficiency class (luminous efficiency)	G (58 lm / W)
	power	LED 45 W
	color rendering index	high color; CRI Ra 95
	color temperature	2700–4000 K
electricity	dimming	with suitable power supply unit
	connection	max. 1600 mA const. / > 32 VDC
	permitted operating conditions	max. 30°C for indoor use only

Mito alto 100 side flat pro lighting effects



side

concentrated light, beam angle approx. 50°

inserts: wallwash

luminous flux: high color 45 W 2400 lm