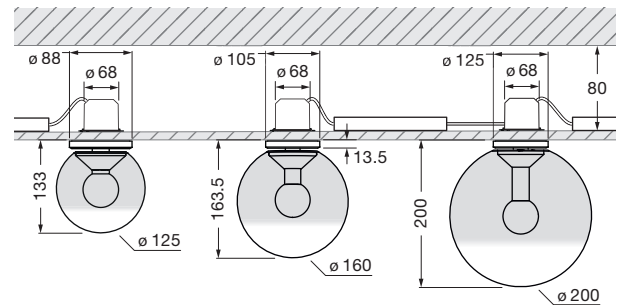


Luna piena flat pro datasheet

LED ceiling luminaire with spherical head and directed light aimed downwards. With optional glass sphere diameters of 125/160/200 mm. The innovative LED fireball technology creates a special lighting effect – direct, downward-facing and atmospheric lights of the fireball within the glass sphere.

Version with flat base for installation on hollow space ceilings or ceiling socket. Glass cover and fireball removable for maintenance purposes, LED interchangeable. The color temperature can be selected upon purchase (2700 K/3000 K/4000 K).

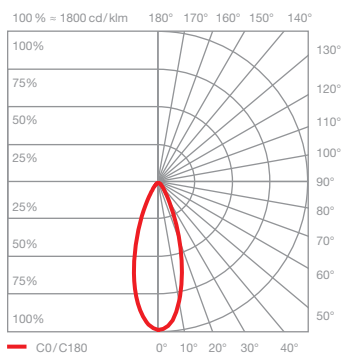
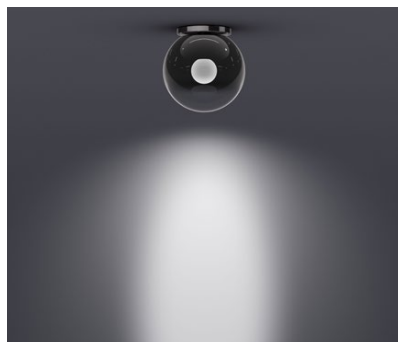


dimensions in mm

technical data Luna piena flat pro

properties	material	aluminium, glass, PVD coated, steel, plastic
	weight	125 = 0.6 kg / 160 = 0.8 kg / 200 = 1.0 kg
surface	head / body / base	dark chrome, phantom
Occhio »color tune« LED	average life time	> 50.000 hrs
	energy efficiency class (luminous efficiency)	G (65 lm/W)
	power	LED 9 W
	color rendering index	CRI Ra 95
	color temperature (color consistency)	2700 / 3000 / 4000 K (2-step)
electricity	dimming	with suitable power supply unit
	connection	1 x 500 mA konst. / 18–24 V DC
	permitted operating conditions	max. 30°C for indoor use only

Luna piena flat pro lighting effects



downlight

direct, glare-free downlight (Occhio fireball optic),
beam angle approx. 50°

light source: Occhio fireball

luminous flux :	4000 K	9 W	630 lm
	3000 K	9 W	550 lm
	2700 K	9 W	520 lm