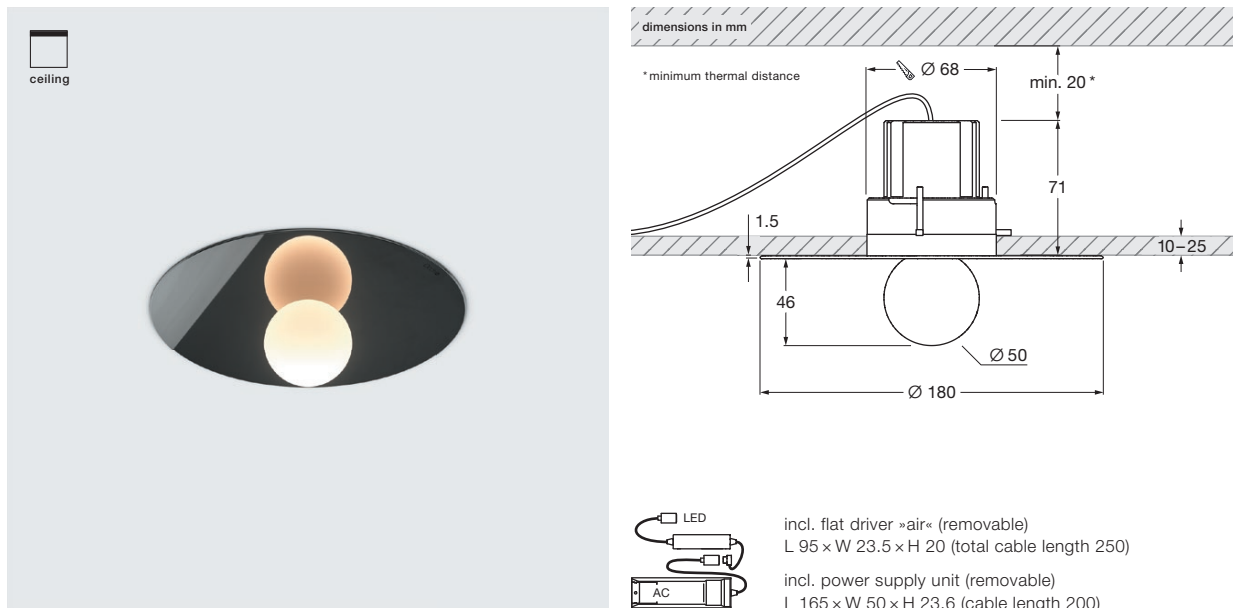


Coro moon vivo flat »air« datasheet

LED ceiling downlight with fireball light source (non-tiltable) and mirror disc. flat version for mounting on hollow ceilings. Version with remote power supply unit, connection to 230 VAC mains voltage. Switching, dimming and »color tune« via Occhio air. The color temperature can be adjusted continuously between 2700–4000 K (optional 2200–3500 K).

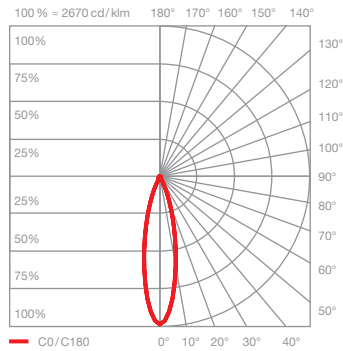
The innovative LED fireball technology creates a special lighting effect - direct light in forward direction and atmospheric illumination by the fireballs indirect light. The fireball as a light source has a light cone of 30°.



technical data Coro moon vivo flat »air«

| | | |
|-------------------------|---------------------------------------|--|
| properties | material | aluminium, glass, PVD coated, painted, plastic |
| | weight | 1 kg |
| surface | mirror disc | soft bronze, dark chrome polished, phantom |
| Occhio »color tune« LED | average life time | > 50.000 hrs |
| | energy efficiency class | This product contains a light source of energy efficiency class F (2200–3500K) or E (2700–4000K) |
| | power | LED 9 W (incl. Occhio power supply unit approx. 12 W, standby < 0.5 W) |
| | color rendering index | CRI Ra 92 |
| | color temperature (color consistency) | color tune: 2200–3500 K (2-step) 2700–4000 K (2-step) |
| electricity | dimming | via Occhio air |
| | connection | 230 VAC |
| | permitted operating conditions | ambient temperature 10–30°C, for indoor use only |

Coro moon vivo flat » air « lighting effects



moon

direct, glare-free light,
beam angle approx. 30°

optics: Occhio fireball

power: high color 9W

luminous flux: 2200–3500 K 510–660 lm
2700–4000 K 580–710 lm