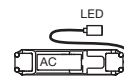
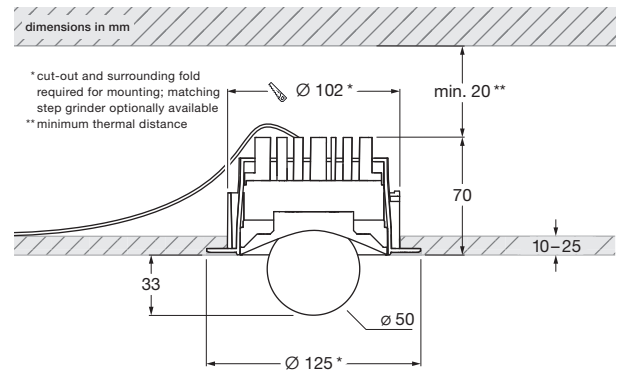
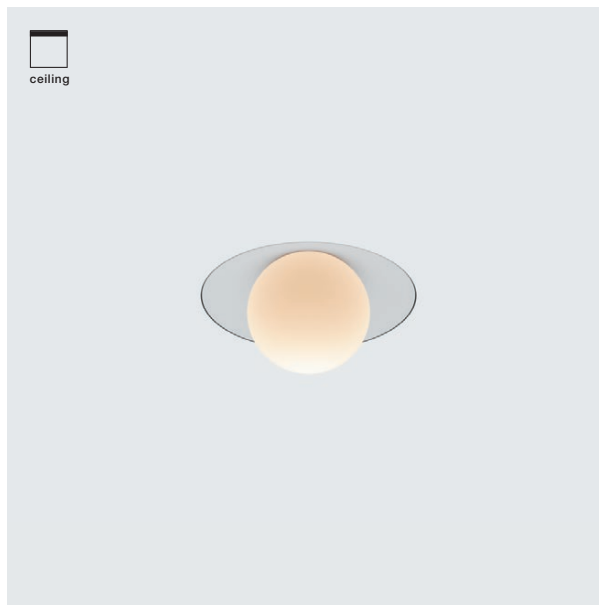


Coro moon piano v pro pure datasheet

LED recessed spotlight with fireball light source (downlight non-tiltable) for hollow ceilings or solid ceilings with ceiling box. pure model for frameless installation. The spotlight is mounted with a separate plastering ring. Version with remote power supply unit, connection to external constant current power source (driver). Dimmable via customer-supplied dimmable power supply unit. The innovative LED fireball technology creates a special lighting effect - direct, downward-facing light and atmospheric illumination by the fireballs indirect light. The fireball as a light source has a light cone of 30°.

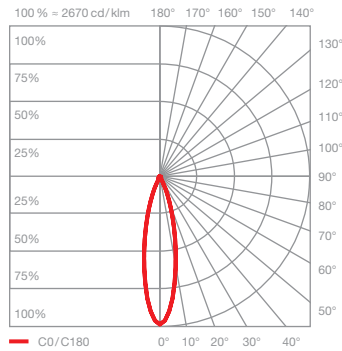


opt. third party »color tune« driver (2-channel driver with custom settings for Occhio fixtures)
 L 174 x W 41 x H 29, cable length 50

technical data Coro moon piano v pro pure

properties	material	aluminium, glass, painted, plastic
	weight	0.6 kg
surface	tube	matt white, matt black
Occhio LED	average life time	> 50.000 hrs
	energy efficiency class	This product contains a light source of energy efficiency class F (2200–3500 K, 2700 K, 3000 K) or E (2700–4000 K, 4000 K)
	power	LED 9 W
	color rendering index	CRI Ra 92
electricity	color temperature (color consistency)	single color: 2700 K, 3000 K, 4000 K (2-step) color tune: 2200–3500 K (2-step) 2700–4000 K (2-step)
	dimming	with suitable power supply unit
	connection	single color (1-channel): max. 500 mA / 18 VDC color tune (2-channel): max. 1000 mA total current (I ₁ + I ₂) / 9 VDC per channel
	permitted operating conditions	ambient temperature 10–30°C, for indoor use only

Coro moon piano v pro pure lighting effects



moon

direct, glare-free light,
beam angle approx. 30°

optics: Occhio fireball

power: high color 9W

luminous flux: 2700 K 670lm
3000 K 720lm
4000 K 820lm
2200–3500 K 510–660lm
2700–4000 K 580–710lm