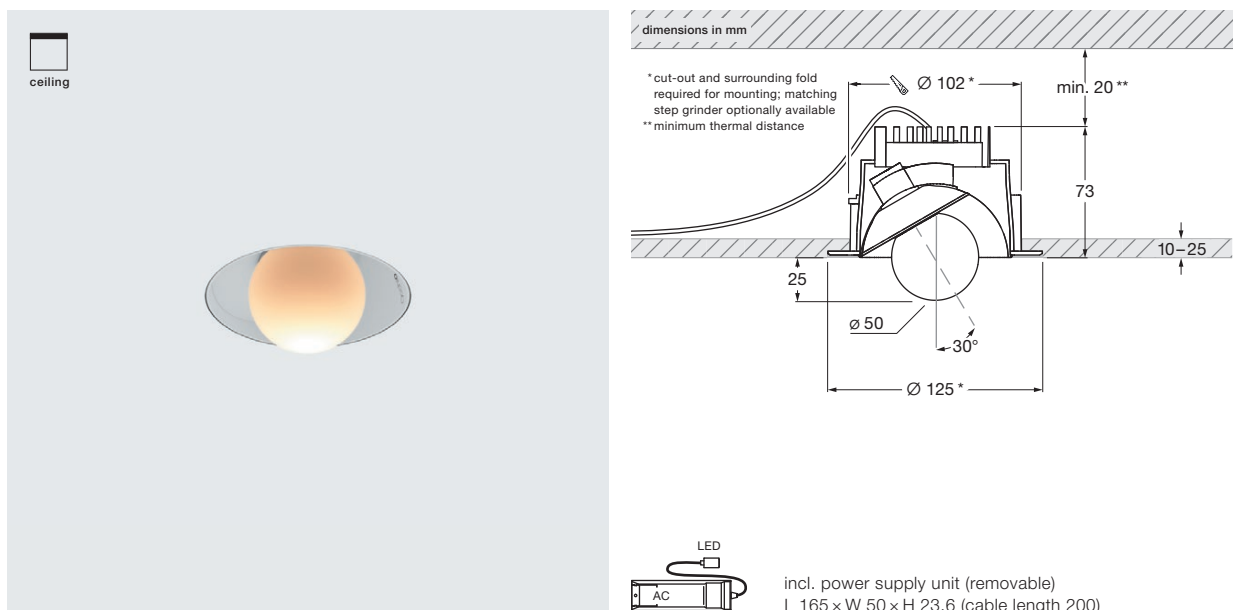


Coro moon piano pure phase-cut datasheet

LED recessed spotlight with fireball light source (swivable). piano version for mounting on hollow ceilings. pure model for frameless installation. The spotlight is mounted with a separate plaster ring. Version with remote power supply unit, connection to 230VAC mains voltage. Dimmable via phase-cut dimmer. The color temperature can be configured to 2700K, 3000K or 4000K when ordering.

The innovative LED fireball technology creates a special lighting effect - direct light in forward direction and atmospheric illumination by the fireballs indirect light. The fireball as a light source can be rotated by 360° (with end-stop), swiveled by 30° and has a light cone of 30°

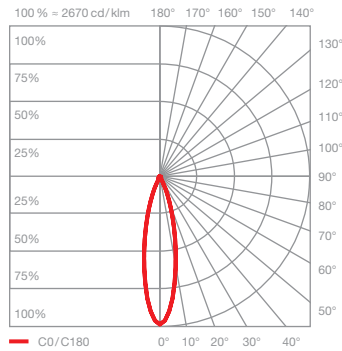


technical data Coro moon piano pure phase-cut

properties	material	aluminium, glass, painted, plastic
	turning range	360° (with stop)
	mobility head	30°
	weight	0.9 kg
surface	tube	matt white, matt black
Occhio LED	average life time	> 50.000 hrs
	energy efficiency class	This product contains a light source of energy efficiency class F (2700K, 3000K) or E (4000K)
	power	LED 9W (incl. Occhio power supply unit approx. 12W, standby < 0.5W)
	color rendering index	CRI Ra 92
	color temperature (color consistency)	2700K/3000K/4000K (2-step)
electricity	dimming	via phase cut dimmer*
	connection	230V AC
	permitted operating conditions	ambient temperature 10–30°C, for indoor use only

* dimmer not included in the scope of delivery, for a list of compatible dimmers, see www.occhio.com/dim_en

Coro moon piano pure phase-cut lighting effects



moon

direct, glare-free light,
beam angle approx. 30°

optics: Occhio fireball

power: high color 9W

luminous flux: 2700 K 670lm
3000 K 720lm
4000 K 820lm