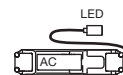
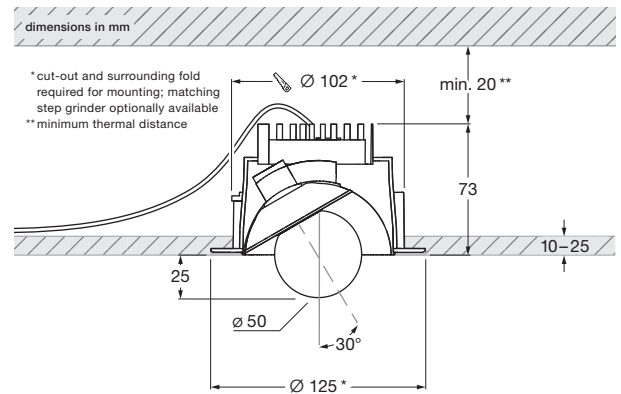
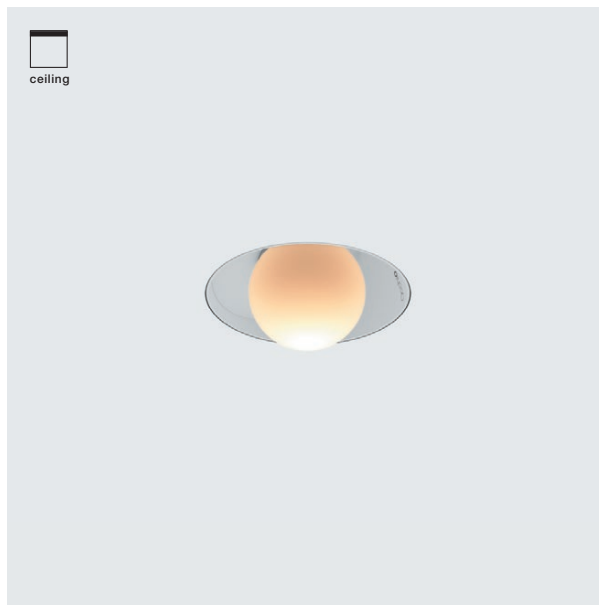


Coro moon piano pro pure datasheet

LED recessed spotlight with fireball light source (swivable) for hollow ceilings or solid ceilings with ceiling box. pure model for frameless installation. The spotlight is mounted with a separate plastering ring. Version with remote power supply unit, connection to external constant current power source (driver). Dimmable via customer-supplied dimmable power supply unit. The innovative LED fireball technology creates a special lighting effect - direct light in forward direction and atmospheric illumination by the fireballs indirect light. The fireball as a light source can be rotated by 360° (with stop), swiveled by 30° and has a light cone of 30°.

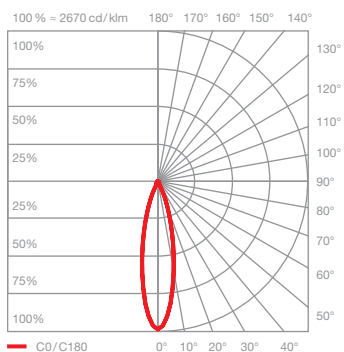


opt. third party »color tune« driver (2-channel driver with custom settings for Occhio fixtures)
L 174 x W 41 x H 29, cable length 50

technical data Coro moon piano pro pure

properties	material	aluminium, glass, painted, plastic
	turning range	360° (with stop)
	mobility head	30°
	weight	0.6 kg
surface	tube	matt white, matt black
Occhio LED	average life time	> 50.000 hrs
	energy efficiency class	This product contains a light source of energy efficiency class F (2200–3500 K, 2700 K, 3000 K) or E (2700–4000 K, 4000 K)
	power	LED 9W
	color rendering index	CRI Ra 92
	color temperature (color consistency)	single color: 2700 K, 3000 K, 4000 K (2-step) color tune: 2200–3500 K (2-step) 2700–4000 K (2-step)
electricity	dimming	with suitable power supply unit
	connection	single color (1-channel): max. 500 mA / 18 VDC color tune (2-channel): max. 1000 mA total current (I ₁ + I ₂) / 9 VDC per channel
	permitted operating conditions	ambient temperature 10–30°C, for indoor use only

Coro moon piano pro pure lighting effects



moon

direct, glare-free light,
beam angle approx. 30°

optics: Occhio fireball

power: high color 9W

luminous flux: 2700 K 670lm
3000 K 720lm
4000 K 820lm
2200–3500 K 510–660lm
2700–4000 K 580–710lm