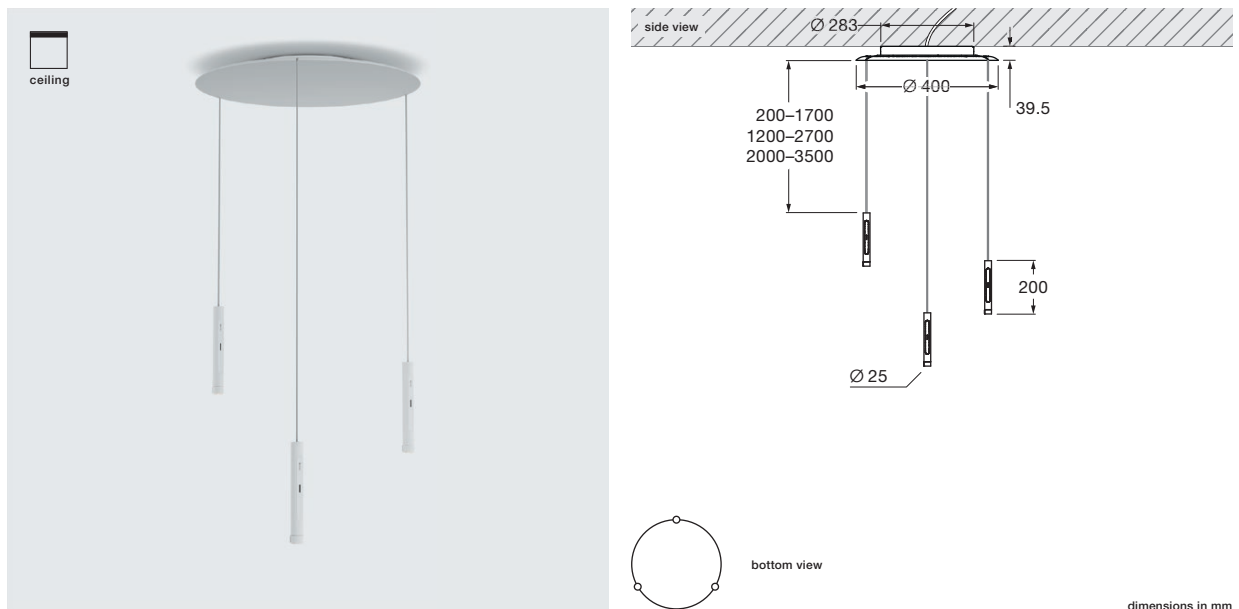


Coro cloud 3 datasheet

LED suspended luminaire cloud with 3 rod-shaped heads with zoom optic and round canopy. cloud version for surface mounting. Each suspension cable is adjustable between 20–170 cm (optional 120–270 cm, 200–350 cm) during mounting.

Version with integrated power supply unit, connection to 230 V AC mains voltage. Switching, dimming and »color tune« via Occhio air or »touchless control« (gesture control on head). All heads are synchronized (no individual head control). The color temperature can be adjusted continuously between 2700–4000 K (optional 2200–3500 K).

The zoom optic is glare-free and the beam angle continuously adjustable between 40–80°.

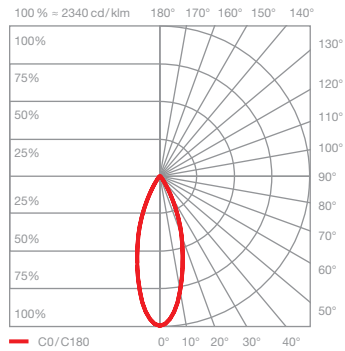


dimensions in mm

technical data Coro cloud 3

properties	material	aluminium, glass, PVD coated, painted, plastic
	cable length	200–1700 mm (can be adjusted during fitting) optional: 1200–2700 mm, 2000–3500 mm (can be adjusted during fitting)
	weight	3 kg
surface	head / zoom	gold, matt gold, rose gold polished, matt silver, matt white, matt black, phantom polished, black phantom polished, dark chrome polished
	pads / cover	matt white, matt black
	cable	white, black
	canopy	matt white, matt black
Occhio »color tune« LED	average life time	> 50.000 hrs
	energy efficiency class	This product contains a light source of energy efficiency class F (2200–3500K) or E (2700–4000K)
	power	LED 3 × 6 W (incl. Occhio power supply unit approx. 24 W, standby < 0.5 W)
	color rendering index	CRI Ra 92
	color temperature (color consistency)	color tune: 2200–3500 K (2-step) 2700–4000 K (2-step)
electricity	dimming	via »touchless control« and Occhio air
	connection	230 V AC
	permitted operating conditions	ambient temperature 10–30°C, for indoor use only

Coro cloud 3 lighting effects

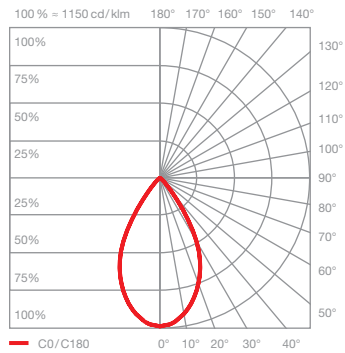
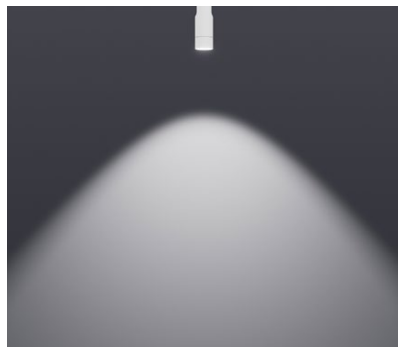


Z40
directed light (approx. 40°)

optics: zoom lens

power: high color 3 × 6 W

luminous flux: 2200–3500 K 3 × 130–170 lm
2700–4000 K 3 × 150–180 lm



Z80
directed light (approx. 80°)

optics: zoom lens

power: high color 3 × 6 W

luminous flux: 2200–3500 K 3 × 200–260 lm
2700–4000 K 3 × 230–280 lm